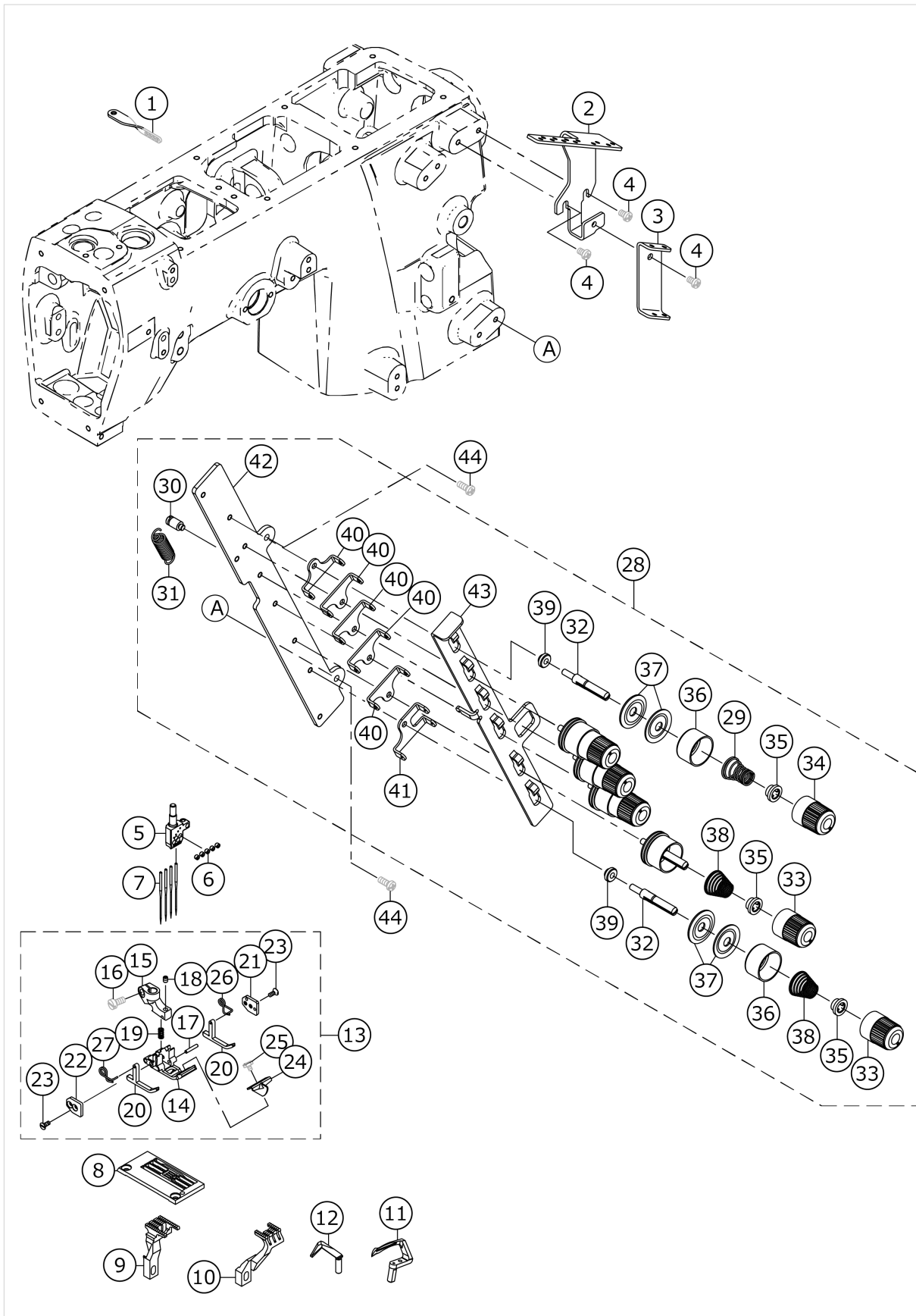


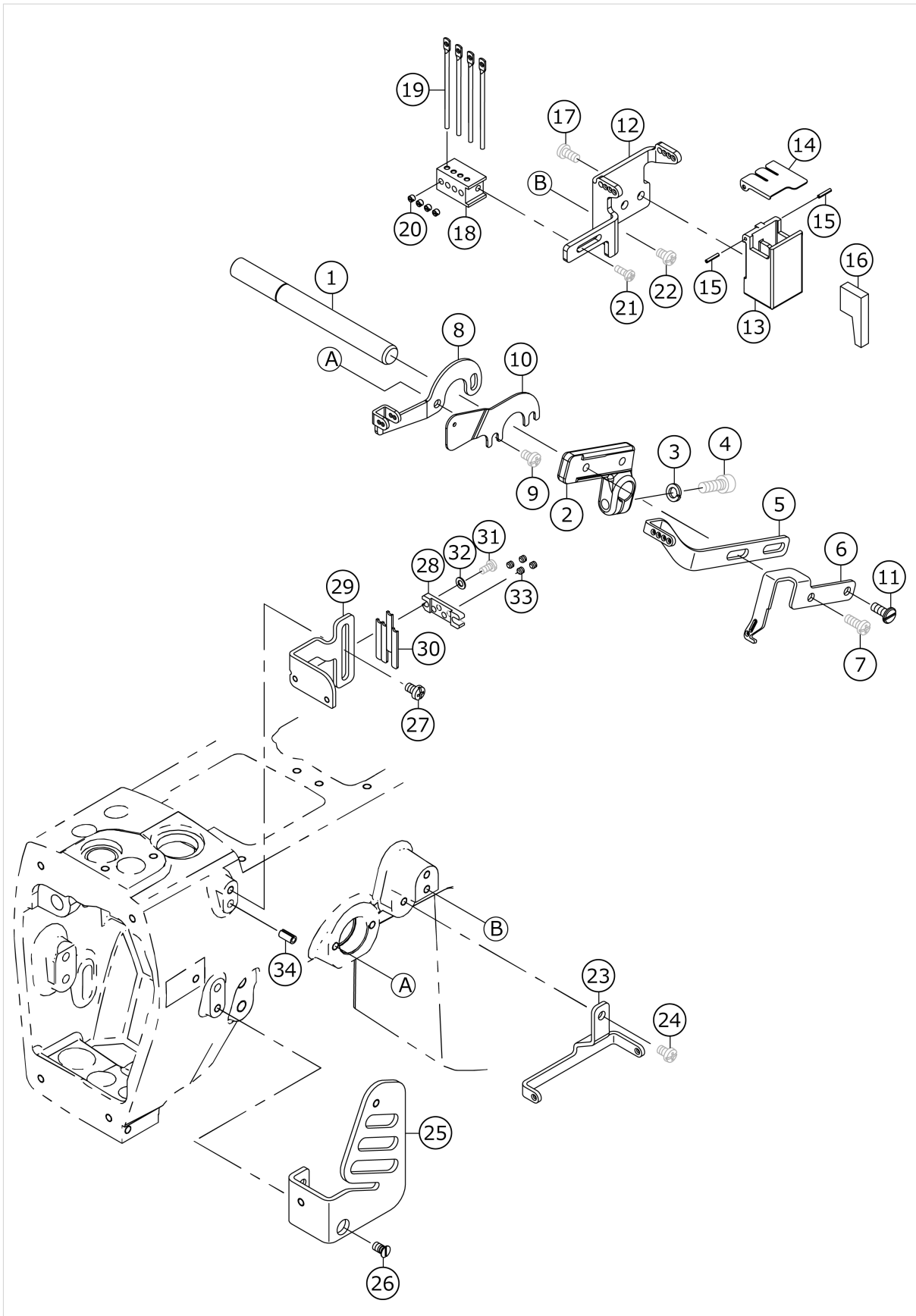
MF-7524

MF-7524 (1)



No.	品番	品名	備考	子部品	消耗品	個数
1	40052932	NEEDLE_BAR_EYELET				1.00
2	40034355	THREAD_GUIDE_PLATE				1.00
3	13340104	THREAD GUIDE				1.00
4	SM4040655SP	SCREW M4 L=6				3.00
5	40049609	NEEDLE_HEAD_60_ASSY				1.00
6	SM8030350TP	SCREW				5.00
7	MSM101B1000	NEEDLE SMX1014B #10				4.00
8	40049382	THROAT_PLATE				1.00
9	13353701	MAIN_FEED_DOG				1.00
10	13357603	DIFF_FEED_DOG				1.00
11	40051448	LOOPER_MF7724-D60				1.00
12	40052924	REAR_NEEDLE_GUARD				1.00
13	40049394	PRESSER_FOOT_ASSY				1.00
14	40049383	PRESSER_FOOT_BOTTOM		*		1.00
15	13375506	PRESSER_FOOT_HINGE		*		1.00
16	SM6040800SP	SCREW		*		1.00
17	13375209	PIVOT_PIN		*		1.00
18	SM8030412TP	SCREW		*		1.00
19	13377106	SPRING		*		1.00
20	13375100	P_F_YIELDING_SECTION		*		2.00
21	13375704	GUIDE_PLATE_R		*		1.00
22	13375605	GUIDE_PLATE_L		*		1.00
23	SM1850600SP	SCREW		*		4.00
24	13376900	PRESSER_FOOT_GUIDE		*		1.00
25	13377007	SCREW		*		1.00
26	13375407	SPRING_R		*		1.00
27	13375308	SPRING_L		*		1.00
28	70004144	THREAD_TENSION_ASSY				1.00
29	13140504	TENSION_SPRING_GREEN		*		4.00
30	13340302	SHOULDER SCREW		*		1.00
31	26019000	THREAD TENSION SPRING		*		1.00
32	70001620	TENSION_POST		*		6.00
33	40042363	KNOB		*		2.00
34	40042364	KNOB GREEN		*		4.00
35	40042365	SPRING BUSHING		*		6.00
36	40042366	THREAD TENSION DISK PRESSER		*		6.00
37	40101602	THREAD_TENSION_DISC		*		12.00
38	40102003	SPRING		*		2.00
39	70001617	SPACER		*		6.00
40	70001615	TENSION_DISC_EYELET_A		*		5.00
41	70001616	TENSION_DISC_EYELET_B		*		1.00
42	70004142	TENSION_POST_SUPPORT		*		1.00
43	70004143	TENSION_DISK_SEPARATOR		*		1.00
44	SM4041055SP	SCREW				2.00

MF-7524 (2)



No.	品番	品名	備考	子部品	消耗品	個数
1	13324306	SHAFT				1.00
2	13324702	HOLDER TAKE UP EYELET				1.00
3	WS0510002KN	SPRING WASHER M5				1.00
4	SM6051402TP	SCREW M5X0.8 L=14				1.00
5	40034360	NDL_THREAD_TAKE_UP				1.00
6	13324900	UP LPR THREAD TAKE UP				1.00
7	SM4041055SP	SCREW				2.00
8	40052929	THREAD_GUIDE				1.00
9	SM4040655SP	SCREW M4 L=6				2.00
10	40085995	FINGER_GUARD				1.00
11	SM6041050TP	SCREW				1.00
12	70001540	THREAD_TENSION_GUIDE				1.00
13	40034366	TANK				1.00
14	70001546	SILICONE_OIL_TANK_COVER				1.00
15	PS0150082KH	SPRING PIN				2.00
16	B9214850000	HEAT REMOVING FELT				1.00
17	ST4040851SN	TAPPING SCREW M4X8				2.00
18	40034358	HOLDER				1.00
19	30391601	NEEDLE THREAD EYELET				4.00
20	SM8030350TP	SCREW				4.00
21	SM4030855SN	SCREW M3 L=8.0				1.00
22	SM4040655SP	SCREW M4 L=6				2.00
23	70001541	THREAD_GUIDE				1.00
24	SM4040655SP	SCREW M4 L=6				1.00
25	70001544	TAKE_UP_COVER				1.00
26	SM1040750TP	SCREW M4 L=7				1.00
27	SM4040655SP	SCREW M4 L=6				1.00
28	40052926	GUIDE_BRACKET				1.00
29	70004146	NDL_THD_STRIKE_OFF				1.00
30	40052925	NDL THD STRIKE OFF PLATE				4.00
31	SM4030655SP	SCREW				2.00
32	WP0320500SC	WASHER M3				2.00
33	SM8030350TP	SCREW				4.00
34	PS0400082KP	SPRING PIN				1.00

HOW TO MAKE USE OF THIS PARTS LIST

- 1.As to "#01" and "#02" refer to the "Note" given at the bottom of the respective pages.
- 2.Codes on the "Qty" column
 - Each numeral indicates the number of parts required.
 - "0.1" and "2.5" indicate the length (in meters) of the respective parts.
- 3.Parentheses mean that the corresponding part is a subpart that constructs an assembly part.
- 4.Dotted lines on the Figures indicate assembly parts.

1. リストページの# 0 1、# 0 2の印は、ページ下の“注記”の説明を参照下さい。
2. 数量欄の数字は、個数を表し、0. 1、2. 5等の数値は、長さ（単位メートル）を表します。
3. 数量欄の（ ）は、組部品を構成している子部品であることを意味します。
4. イラストページの-----枠は、組構成であることを意味します。

ALL PARTS NOT MENTIONED IN THIS PARTS LIST ARE SAME AS THOSE OF
MODEL MF-7500. OTHER PARTS LIST RELATED TO THIS MODEL.
*MF-7500. (NO.1596 PART NO.70002001)

このパーツリスト記載以外の部品はMF-7500.と共通です。
この機種に関連するパーツリストとして下記のパーツリストがあります。
* MF-7500 (NO.1596 品番70002001)